

Glen Ball Valves

Glen Ball Valves have been used in the mining industry for over 70 years and have been developed specifically to suit the harsh working conditions in underground hard rock mining.



Features and advantages

- * Floating Ball design for improved sealing at higher pressure
- * Installed for operation in either direction
- * Compact valve with minimum parts
- * Full bore design reduces turbulence and decreases pressure drop through valve
- * Cast body is robust
- * Spindle designed to prevent possibility of blow out
- * Valve maintenance done in-situ
- * Handles replaced easily by removing nyloc nut

Applications

- * Mining
- * Civil and industrial applications
- * Construction
- * Agriculture
- * Municipal

Material Specifications

Handle - Mild Steel

Spindle - Stainless Steel

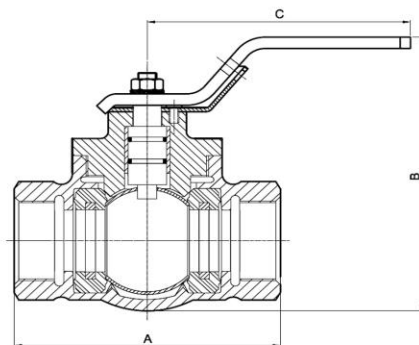
Seats - Nitrile

Seats (25mm) - Polyurethane

Ball - Stainless Steel

H.T. nut and spring washer

Cast Body and Cast Cap - S.G. iron or malleable iron



Screwed Ball Valve



Screwed Ball Valve With Lock



50mm Shouldered x 25mm BSP Ball Valve



"S" Claw x BSP Ball Valve



50mm Screwed Ball Valve With Lock

CODE	SIZE	DESCRIPTION	A (mm)	B (mm)	C (mm)	Pressure (kPa)	Temperature (°C)
VBASC0151	15mm	BSP GLEN SCREWED BALL VALVE MK3	85	75	75	3500	-20 to 82
VBASC0201	20mm	BSP GLEN SCREWED BALL VALVE MK3	93	95	110	5400	-20 to 82
VBASC02053L	25mm	BSP GLEN SCREWED BALL VALVE WITH LOCKABLE HANDLE	110	105	115	5400	-20 to 82
VBASC0321	32mm	BSP GLEN SCREWED BALL VALVE MK3	135	120	125	5400	-20 to 82
VBASC0401	40mm	BSP GLEN SCREWED BALL VALVE MK3	145	175	250	4100	-20 to 82
VBASC0503	50mm	BSP GLEN SCREWED BALL VALVE MK3 (HEAVY DUTY)	175	190	250	4100	-20 to 82
BA5000BC	50mm	BSP GLEN SERIES 2000 SCREWED BALL VALVE WITH LOCKABLE HANDLE	140	155	165	4100	-20 to 82
VBALH502SL	50 X 25mm	GLEN SHOULDERED X 25mm BSP SCREWED BALL VALVE WITH LOCKABLE HANDLE	120	115	135	5400	-20 to 82
VBASC0253SLL	25mm	"S" CLAW X BSP GLEN BALL VALVE MK3 WITH LOCKABLE HANDLE	98	85	124	3500	-20 to 82
VBASC0503SLL	50mm	"S" CLAW X BSP GLEN BALL VALVE MK3 WITH LOCKABLE HANDLE	150	165	175	4100	-20 to 82
VBASH0801	80mm	GLEN SHOULDERED BALL VALVE	255	225	195	2700	-20 to 82
VBASH1001	100mm	GLEN SHOULDERED BALL VALVE	280	285	195	2700	-20 to 82
VBASHG1001	100mm	GLEN SHOULDERED BALL VALVE WITH GEARBOX	280	400	-	2700	-20 to 82

Series 2000 Glen Ball Valves

Glen Ball Valves have been used in the mining industry for over 70 years and have been developed specifically to suit the harsh working conditions in underground hard rock mining.



Features and advantages

- * Floating Ball design for improved sealing at higher pressure
- * Installed for operation in either direction
- * Compact valve with minimum parts
- * Cast body is robust
- * Spindle designed to prevent possibility of blow out
- * Handles replaced easily by removing nyloc nut

Applications

- * Mining
- * Civil and industrial applications
- * Construction
- * Agriculture
- * Municipal

Material Specifications

Handle - Mild Steel

Spindle - Stainless Steel

Seats - Nitrile

Ball - Stainless Steel

H.T. nut and spring washer

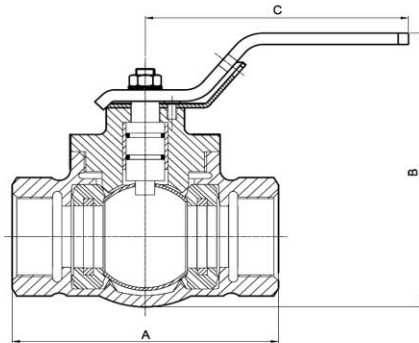
Cast Body - S.G. iron or malleable iron



25mm Screwed
Ball Valve With Lock



50mm Screwed
Ball Valve With Lock



CODE	SIZE	DESCRIPTION	A (mm)	B (mm)	C (mm)	Pressure (kPa)	Temperature (°C)
BA250BBL	25mm	BSP GLEN SERIES 2000 SCREWED BALL VALVE WITH LOCKABLE HANDLE	95	80	125	5400	-20 to 82
BA500BBL	50mm	BSP GLEN SERIES 2000 SCREWED BALL VALVE WITH LOCKABLE HANDLE	150	155	165	4100	-20 to 82

